

Disposable Sling Range

elite
healthcare



01 8903932

info@elitehealthcare.ie



www.elitehealthcare.ie

Disposable Sling Clip

DHEC

- Box x 10
- Single patient short term use
- Full body sling with a stiffened head support & padded legs
- Used specifically in acute markets to limit cross infection



DO NOT WASH

Be cautious when treating in wet stage



DO NOT TUMBLE DRY

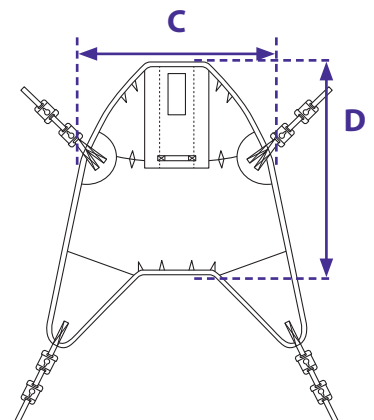
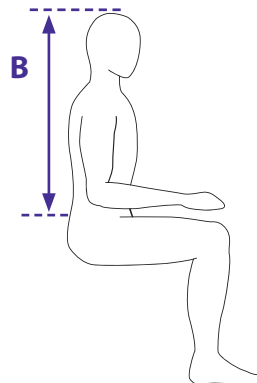
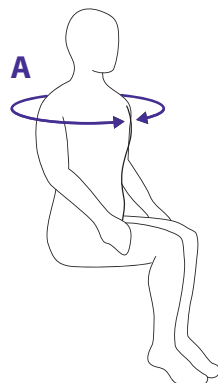
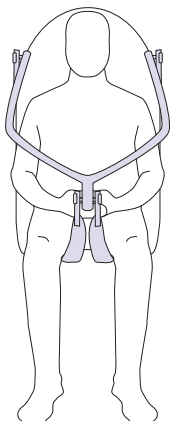


Product Codes & Specifications:



100% Coated Paper

| | | A | B | C | D |
|----|---------|-------------|------------|------|-------|
| S | DHEC-S | 86 - 96cm | 66 - 74cm | 70cm | 115cm |
| M | DHEC-M | 96 - 108cm | 74 - 80cm | 80cm | 124cm |
| L | DHEC-L | 108 - 130cm | 80 - 88cm | 86cm | 134cm |
| XL | DHEC-XL | 130 - 144cm | 88 - 100cm | 93cm | 138cm |



Disposable Sling Loop

DHEL

- Box x 10
- Single patient short term use
- Full body sling with a stiffened head support & padded legs
- Used specifically in acute markets to limit cross infection



DO NOT WASH

Be cautious when treating in wet stage



DO NOT TUMBLE DRY

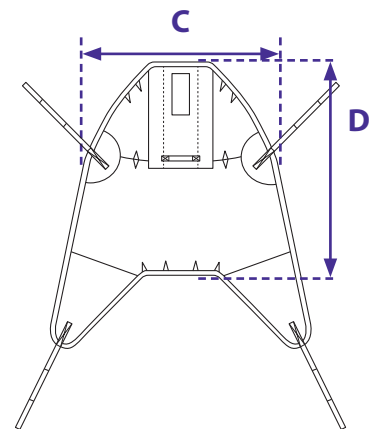
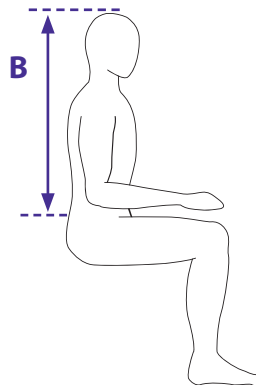
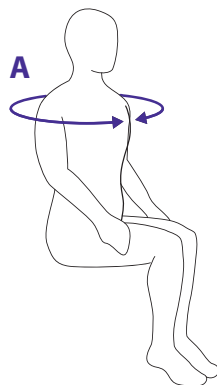
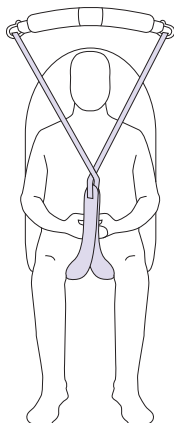


Product Codes & Specifications:



100% Coated Paper

| | | A | B | C | D |
|----|---------|-------------|------------|------|-------|
| S | DHEL-S | 86 - 96cm | 66 - 74cm | 70cm | 115cm |
| M | DHEL-M | 96 - 108cm | 74 - 80cm | 80cm | 124cm |
| L | DHEL-L | 108 - 130cm | 80 - 88cm | 86cm | 134cm |
| XL | DHEL-XL | 130 - 144cm | 88 - 100cm | 93cm | 138cm |



Disposable Comfort Sling



Non-woven disposable full sling with extra support for legs and pelvis. Available with or without head support.



Usage

- A disposable sling is perfect for situations where a high hygienic standard is needed, e.g. if there is a risk of infection.
- For users with increased disability or other special needs.
- For transfers from a sitting or lying position..
- For transfers in mobile and stationary hoists..



Features

- The sling provides good support of the body and stabilizes the pelvis, supporting the upper body and giving the user a feeling of comfort and safety.
- The leg straps have a large padded surface, which reduces the pressure on the entire femur.
- The sling ensures a good upright posture that facilitates the positioning of the user.
- The sling is made from non-woven material.
- Available with or without head support. The sling shown on this product sheet is without head support.




Disposable Comfort Sling has

- split leg straps, which do not cross, due to an extra closing strap.
- coloured strap on upper back with size and mid-line mark, which ensure correct placement of the sling.
- a small seat opening.
- a wash symbol with an indicator which warns the carer if the sling is damp/wet and therefore needs to be destroyed and replaced (see page 2).



| Item number | Size | Model |
|-------------|------|---|
| 008-04104 | S | Disposable Comfort Sling without head support (10 pcs.) |
| 008-04105 | M | Disposable Comfort Sling without head support (10 pcs.) |
| 008-04106 | L | Disposable Comfort Sling without head support (10 pcs.) |
| 008-04114 | S | Disposable Comfort Sling with head support (10 pcs.) |
| 008-04115 | M | Disposable Comfort Sling with head support (10 pcs.) |
| 008-04116 | L | Disposable Comfort Sling with head support (10 pcs.) |



Wash symbol with indicator

Warns you if the sling is damp or wet and therefore needs to be destroyed.

Once the sling is wet or damp, this warning will appear: "DO NOT USE. DESTROY"

Sling size guide

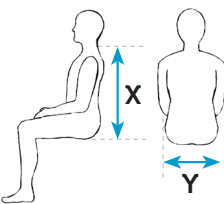
Colour code is presented on the size chart. The image below shows a yellow colour code, which means that the sling is in size M (Medium).



Technical information

SWL: 275 kg

CE, i, trash can, wash symbols (no iron, no dry clean, no bleach, no tumble dry, no steam), and a square symbol with a circle inside.



| | S | M | L |
|---|-------|-------|-------|
| Y (hip measurement) | 42 cm | 48 cm | 52 cm |
| X (measurement from head to lower back) | 55 cm | 66 cm | 75 cm |



See the user manual for detailed specifications. All figures and measurements are for guidance only and may differ in actual situations. Winnicare Nordic reserves the right to changes without notice.